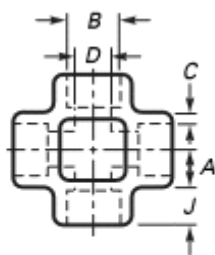
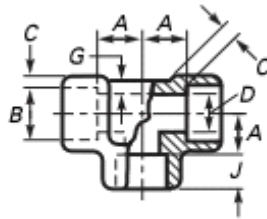


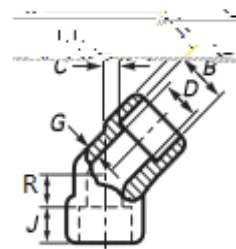
90-deg Elbow



Cross



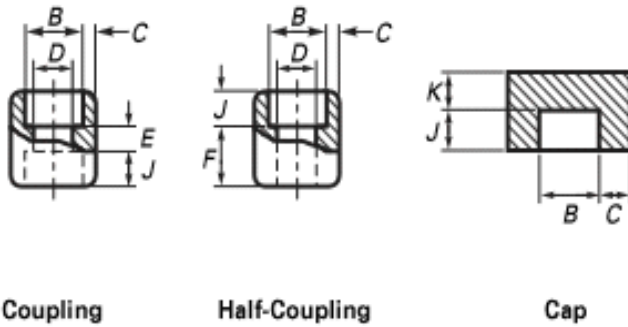
Tee



45-deg Elbow

FORGED PIPE FITTING		SW ELBOW, CROSS, TEE 3000 / 6000 / 9000LB											
NPS	1/8"	1/4"	3/8"	1/2"	3/4"	1"	1 1/4"	1 1/2"	2"	2 1/2"	3"	4"	
B	11	14.4	17.8	22	27.4	34.1	42.9	49	61.5	74.2	90	115.5	
J min.	9.5	9.5	9.5	9.5	12.5	12.5	12.5	12.5	16	16	16	19	
3000LB	D	6.8	9.3	12.5	15.8	21	26.5	35	40.8	52.5	63	78	102.5
	G min.	2.41	3.02	3.2	3.73	3.91	4.55	4.85	5.08	5.54	7.01	7.62	8.56
	C avg.	3.18	3.78	4.01	4.67	4.9	5.69	6.07	6.35	6.93	8.76	9.52	10.69
	C min	3.18	3.3	3.5	4.09	4.27	4.98	5.28	5.54	6.04	7.67	8.3	9.35
	A	11	11	13.5	15.5	19	22.5	27	32	38	41	57	66.5
	R	8	8	8	11	13	14	17.5	20.5	25.5	28.5	32	41
6000LB	D	4	6.4	9.2	11.7	15.5	20.7	29.5	34	42.8			
	G min.	3.15	3.68	4.01	4.78	5.56	6.35	6.35	7.14	8.74			
	C avg.	3.96	4.6	5.03	5.97	6.93	7.92	7.92	8.92	10.92			
	C min	3.43	4.01	4.37	5.18	6.04	6.93	6.93	7.8	9.5			
	A	11	13.5	15.5	19	22.5	27	32	38	41			
	R	8	8	11	12.5	14	17.5	20.5	25.5	28.5			
9000LB	D				6.5	11	15.2	22.8	28	38			
	G min.				7.47	7.82	9.09	9.7	10.15	11.07			
	C avg.				9.35	9.78	11.38	12.14	12.7	13.84			
	C min				8.18	8.56	9.96	10.62	11.12	12.12			
	A				25.5	28.5	32	35	38	54			
	R				15.5	19	20.5	22.5	25.5	28.5			

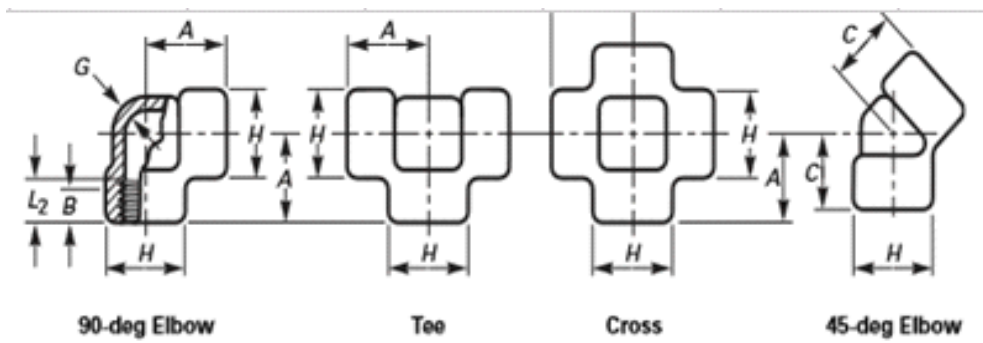
- 1, All dimension are in millimeter.
- 2, According to ASME B16.11-2009



FORGED PIPE FITTING		SW COUPLING, HALF COUPLING, CAP 3000 / 6000/ 9000LB											
NPS	1/8"	1/4"	3/8"	1/2"	3/4"	1"	1 1/4"	1 1/2"	2"	2 1/2"	3"	4"	
B	11	14.4	17.8	22	27.4	34.1	42.9	49	61.5	74.2	90	115.5	
J min.	9.5	9.5	9.5	9.5	12.5	12.5	12.5	12.5	16	16	16	19	
E	6.5	6.5	6.5	9.5	9.5	12.5	12.5	12.5	19	19	19	19	
F	16	16	17.5	22.5	24	28.5	30	32	41	43	44.5	48	
3000LB	D	6.8	9.3	12.5	15.8	21	26.5	35	40.8	52.5	63	78	102.5
	K	4.8	4.8	4.8	6.4	6.4	9.6	9.6	11.2	12.7	15.7	19	22.4
	C avg.	3.18	3.78	4.01	4.67	4.9	5.69	6.07	6.35	6.93	8.76	9.52	10.69
	C min	3.18	3.3	3.5	4.09	4.27	4.98	5.28	5.54	6.04	7.67	8.3	9.35
6000LB	D	4	6.4	9.2	11.7	15.5	20.7	29.5	34	42.8			
	K	6.4	6.4	6.4	7.9	7.9	11.2	11.2	12.7	15.7	19	22.4	28.4
	C avg.	3.96	4.6	5.03	5.97	6.93	7.92	7.92	8.92	10.92			
	C min	3.43	4.01	4.37	5.18	6.04	6.93	6.93	7.8	9.5			
9000LB	D				6.5	11	15.2	22.8	28	38			
	K				11.2	12.7	14.2	14.2	15.7	19			
	C avg.				9.35	9.78	11.38	12.14	12.7	13.84			
	C min				8.18	8.56	9.96	10.62	11.12	12.12			

**P2/P6**

**AUH TRADING CO., LTD.**  
**2-901, Shangbao Building, Lucheng**  
**Wenzhou City, 325000, China**  
**Tel: 0086-577-85550367**  
**sales@auhtrading.com**  
**info@auhtrading.com**

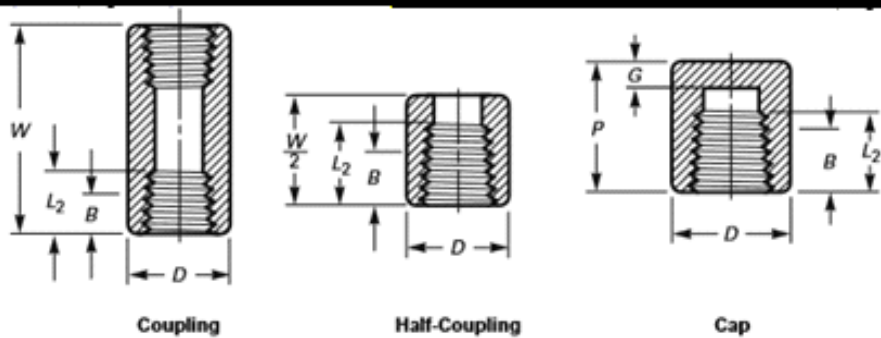


**FORGED PIPE FITTINGS      SCREWED ELBOW, TEE, CROSS, 2000 / 3000 / 6000LB**

NPS		1/8"	1/4"	3/8"	1/2"	3/4"	1"	1 1/4"	1 1/2"	2"	2 1/2"	3"	4"
	B	6.4	8.1	9.1	10.9	12.7	14.7	17	17.8	19	23.6	25.9	27.7
	L	6.7	10.2	10.4	13.6	13.9	17.3	18	18.4	19.2	28.9	30.5	33
2000LB	A	21	21	25	28	33	38	44	51	60	76	86	106
	C	17	17	19	22	25	28	33	35	43	52	64	79
	H	22	22	25	33	38	46	56	62	75	92	109	146
	G	3.18	3.18	3.18	3.18	3.18	3.68	3.89	4.01	4.27	5.61	5.99	6.55
3000LB	A	21	25	28	33	38	44	51	60	64	83	95	114
	C	17	19	22	25	28	33	35	43	44	52	64	79
	H	22	25	33	38	46	56	62	75	84	102	121	152
	G	3.18	3.3	3.51	4.09	4.32	4.98	5.28	5.56	7.14	7.65	8.84	11.18
6000LB	A	25	28	33	38	44	51	60	64	83	95	106	114
	C	19	22	25	28	33	35	43	44	52	64	79	79
	H	25	33	38	46	56	62	75	84	102	121	146	152
	G	6.35	6.6	6.98	8.15	8.53	9.93	10.59	11.07	12.09	15.29	16.64	18.67

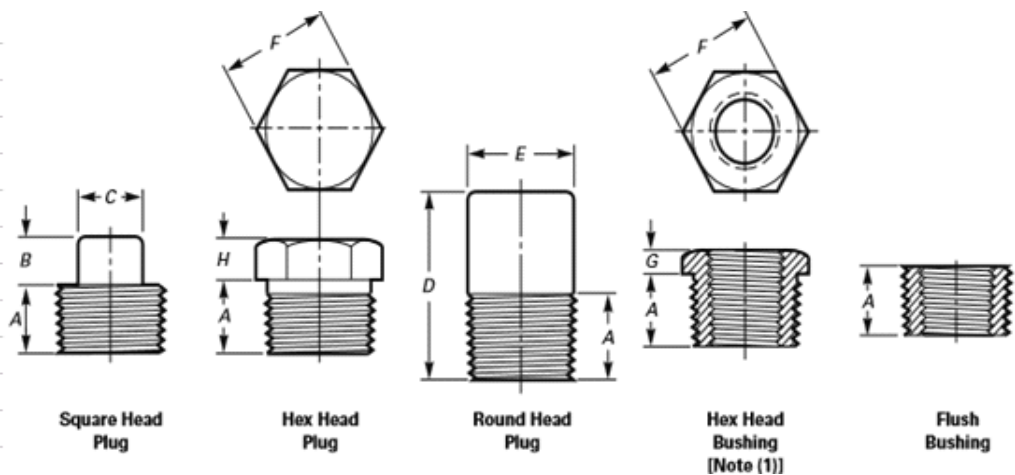
**AUH TRADING CO., LTD.**  
**2-901, Shangbao Building, Lucheng**  
**Wenzhou City, 325000, China**  
**Tel: 0086-577-85550367**  
**sales@auhtrading.com**  
**info@auhtrading.com**

**P3/P6**



**FORGED PIPE FITTINGS FULL COUPLING, HALF COUPLING, CAP, 3000 / 6000LB**

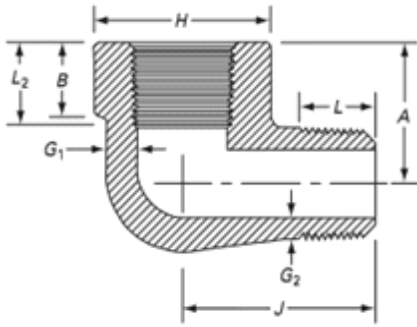
NPS		1/8"	1/4"	3/8"	1/2"	3/4"	1"	1 1/4"	1 1/2"	2"	2 1/2"	3"	4"
3000LB	B	6.4	8.1	9.1	10.9	12.7	14.7	17	17.8	19	23.6	25.9	27.7
	L	6.7	10.2	10.4	13.6	13.9	17.3	18	18.4	19.2	28.9	30.5	33
	W	32	35	38	48	51	60	67	79	86	92	108	121
6000LB	P		27	27	33	38	43	46	48	51	64	68	75
	D	22	25	32	38	44	57	64	76	92	108	127	159
	G min		6.4	6.4	7.9	7.9	11.2	11.2	12.7	15.7	19	22.4	27.7



**FORGED PIPE FITTINGS PLUG (SQUARE, HEX, ROUND), BUSH, 3000 & 6000LB**

NPS		1/8"	1/4"	3/8"	1/2"	3/4"	1"	1 1/4"	1 1/2"	2"	2 1/2"	3"	4"
3000LB, 6000LB	A	10	11	13	14	16	19	21	21	22	27	28	32
	B	6	6	8	10	11	13	14	16	18	19	21	25
	C	7	10	11	14	16	21	24	28	32	36	41	65
	D	35	41	41	44	44	51	51	51	64	70	70	76
	E	10	14	18	21	27	33	43	48	60	73	89	114
	G		3	4	5	6	6	7	8	9	10	10	13
	H	6	6	8	8	10	10	14	16	18	19	21	25

**AUH TRADING CO., LTD.**  
**2-901, Shangbao Building, Lucheng**  
**Wenzhou City, 325000, China**  
**Tel: 0086-577-85550367**  
**sales@auhtrading.com**  
**info@auhtrading.com**



**FORGED PIPE FITTINGS**      **STREET ELBOW SCREWED 3000 / 6000LB**

	NPS	1/8"	1/4"	3/8"	1/2"	3/4"	1"	1 1/4"	1 1/2"	2"
	B	6.4	8.1	9.1	10.9	12.7	14.7	17	17.8	19
	L2	6.7	10.2	10.4	13.6	13.9	17.3	18	18.4	19.2
	L	10	11	13	14	16	19	21	21	22
3000LB	H	19	25	32	38	44	51	62	70	84
	A	19	22	25	28	35	44	51	54	64
	J	25	32	38	41	48	57	66	71	84
	G1	3.18	3.3	3.51	4.09	4.32	4.98	5.28	5.56	7.14
	G2	2.74	3.22	3.5	4.16	4.88	5.56	5.56	6.25	7.64

6000LB	H	25	32	38	44	51	62	70	84	102
	A	22	25	28	35	44	51	54	64	83
	J	32	38	41	48	57	66	71	84	109
	G1	5.08	5.66	6.98	8.15	8.53	9.93	10.59	11.07	12.09
	G2	4.22	5.28	5.59	6.53	6.86	7.95	8.48	8.89	9.7

**P5/P6**

**AUH TRADING CO., LTD.**  
**2-901, Shangbao Building, Lucheng**  
**Wenzhou City, 325000, China**  
**Tel: 0086-577-85550367**  
**sales@auhtrading.com**  
**info@auhtrading.com**

CLASS Designation and NPS Size Range

	THREADED			SOCKET WELDING		
	2000	3000	6000	3000	6000	9000
45EL,90EL,TEE	1/8"~4"	1/8"~4"	1/8"~4"	1/8"~4"	1/8"~2"	1/2"~2"
	1/8"~4"	1/8"~4"	1/8"~4"	1/8"~4"	1/8"~2"	1/2"~2"
CPLG, CAP		1/8"~4"	1/8"~4"	1/8"~4"	1/8"~2"	1/2"~2"
		1/8"~4"	1/8"~4"	1/8"~4"	1/8"~2"	1/2"~2"
Street Elbow		1/8"~2"	1/8"~2"			
Plug, Bushing	1/8"~4"	1/8"~4"	1/8"~4"			
	1/8"~4"	1/8"~4"	1/8"~4"			

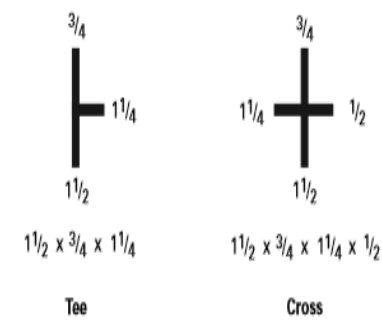
Note: Plugs and bushings are not identified by class designation, they may be used for rating up through class 6000 designation

Correlation of fittings class with schedule number/wall designation of Pipe for calculation of rates

CLASS	TYPE	PIPE SCH/	w.t.
2000	Threaded	80	XS
3000	Threaded	160	
6000	Threaded		XXS
3000	SW	80	XS
6000	SW	160	
9000	SW		XXS

Note: The table is not intended to restrict the use of pipe of thinner or thicker wall with fittings. Pipe actually used may be thinner or thicker in nominal wall than that shown here. When thinner pipe is used, its strength may govern the rating. When thicker pipe is used (e.g., for mechanical strength), the strength of the fitting governs the rating.

Method of Designation outlets of reducing tees and crosses



**P6/P6**

**AUH TRADING CO., LTD.**  
**2-901, Shangbao Building, Lucheng**  
**Wenzhou City, 325000, China**  
**Tel: 0086-577-85550367**  
**sales@auhtrading.com**  
**info@auhtrading.com**